

RING FRAME MOTOR

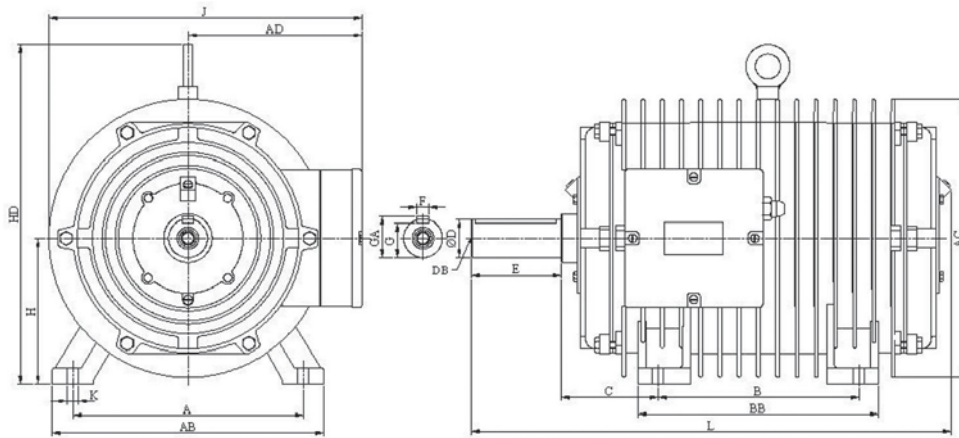
HIGH EFFICIENCY $\text{Eff1} +$

Performance Data - Ring Frame Motor

Synchronous speed 1500 rpm (4 Pole) - 3 Phase, 415 V, 50 Hz

Rating Reference	Frame size	Rated Output		100% load				Ist / I rated	Tst / T rated
		kW	HP	I rated (A)	Speed (rpm)	Eff (%)	cos ϕ		
225-4R40.00	225	30.00	40.00	49.00	1450	94.00	0.88	6.00	1.60
225-4R45.00	225	34.00	45.00	56.00	1450	94.20	0.88	6.00	1.60
225-4R50.00	225	37.20	50.00	61.00	1450	94.50	0.89	6.00	1.60
225-4R53.50	225	40.00	53.50	65.00	1450	94.70	0.90	6.00	1.60
225-4R60.00	225	45.00	60.00	73.00	1450	95.00	0.90	6.00	1.60
225-4R75.00	225	55.00	75.00	89.00	1450	95.50	0.90	6.00	1.60

MOUNTING DIMENSION : FOOT MOUNTING (B3)



Rated Output kW	Frame size	Mounting Dimensions											Overall Dimensions						
		A	B	C	D	E	F	G	GA	H	K	DB	AB	AC	BB	HD	AD	J	L
30.0	225	318	305	153	55	110	16	49	59	225	19	M20	420	430	371	520	269	484	743
34.0	225	318	305	153	55	110	16	49	59	225	19	M20	420	430	371	520	269	484	743
37.2	225	356	286	149	55	110	16	49	59	225	19	M20	420	430	371	520	269	484	743
40.0	225	356	286	149	55	110	16	49	59	225	19	M20	420	430	371	520	269	484	743
45.0	225	356	286	149	55	110	16	49	59	225	19	M20	420	430	371	520	269	484	743
55.0	225	356	286	149	55	110	16	49	59	225	19	M20	420	430	371	520	269	484	743